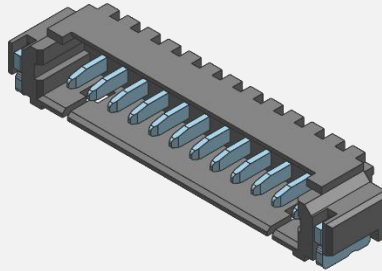
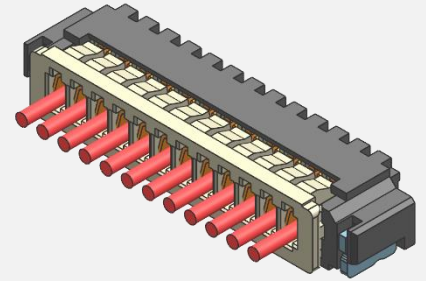


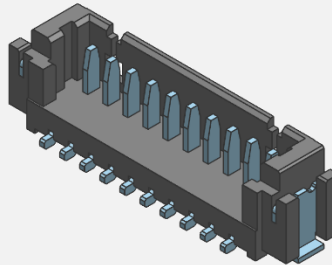
12505**HS**-NN



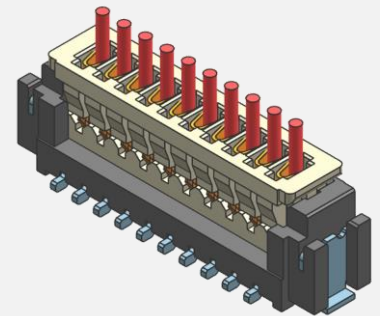
12505**WR**-NN



Mating View



12505**WS**-NN



Mating View

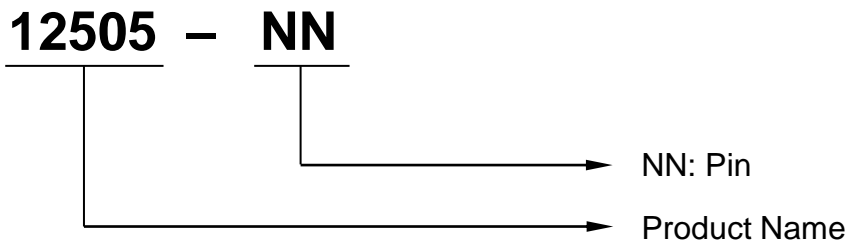
□ Feature

1. This Product is a Wire to board Connector
2. Product Height is 3.55mm , 5.65mm
3. This Connector Type is Vertical , Horizontal
4. Uses this connector in Reflow soldering

□ Product Specification

Item	Specification
Operating Voltage	AC/DC 125V
Current Rating	AC/DC 1A
Operating Temperature	-25°C ~ +85°C
Insulation resistance	100MΩ
Withstanding voltage	No flash over and no physical damage
Contact resistance	30mΩ MAX
Durability	Contact Resistance : 50mΩ MAX
Vibration	1) Contact Resistance : 50mΩ MAX 2) Discontinue : 1μsec MAX

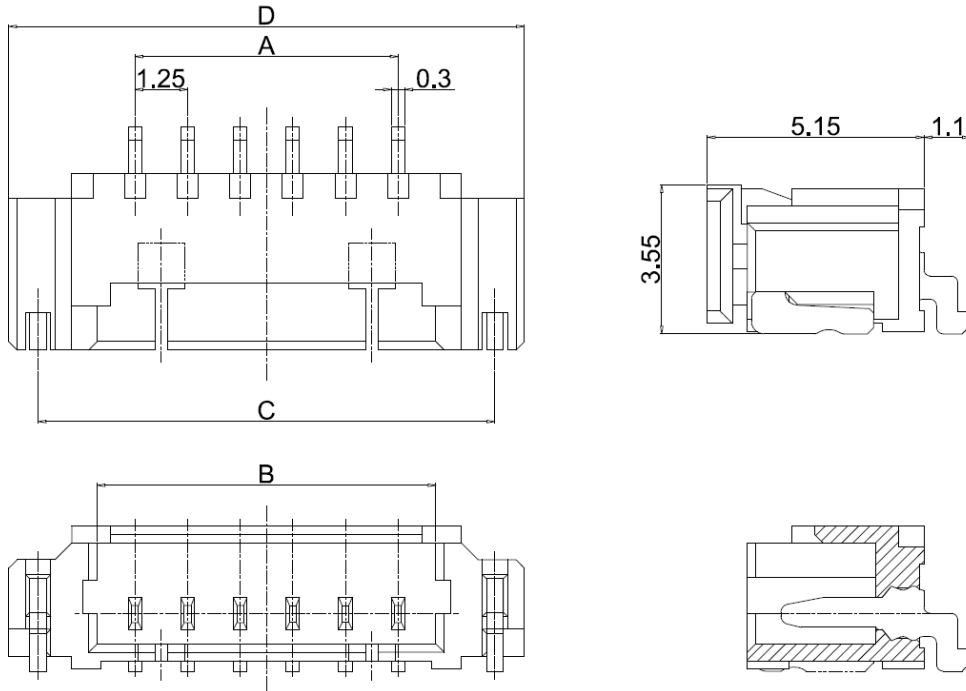
□ Ordering Code



□ Material / Plating

Part	Material	Plating / Color
Wafer	PA계열	Natural
Pin	Copper Alloy	Sn Plating
Hook	Copper Alloy	Sn Plating
Housing	PA계열	Natural
Terminal	Copper Alloy	Sn Plating

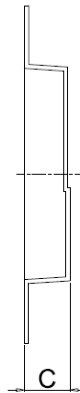
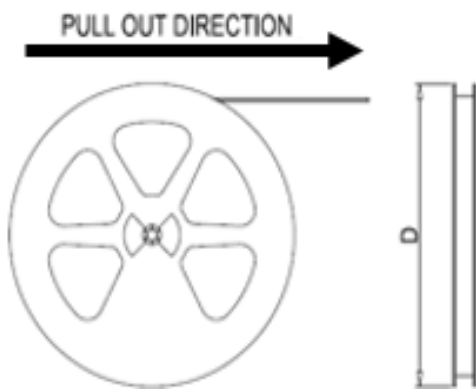
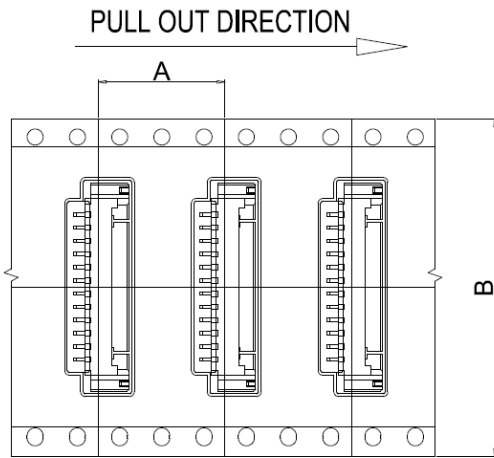
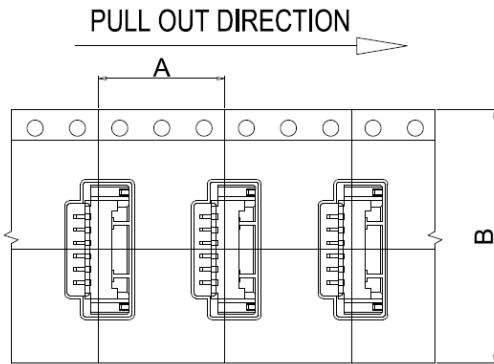
□ Connector Dimension/ 12505WR-NN



Part No.	Pin	A	B	C	D
12505WR-02	2	1.25	3.05	5.85	7.25
12505WR-04	4	3.75	5.55	8.35	9.75
12505WR-05	5	5.00	6.80	9.60	11.00
12505WR-06	6	6.25	8.05	10.85	12.25
12505WR-08	8	8.75	10.55	13.35	14.75
12505WR-10	10	11.25	13.05	15.85	17.25
12505WR-12	12	13.75	15.55	18.35	19.75
12505WR-14	14	16.25	18.05	20.85	22.25
12505WR-16	16	18.75	20.55	23.35	24.75

※ Contact Yeonho Sales representative if considering use of non-specified circuits

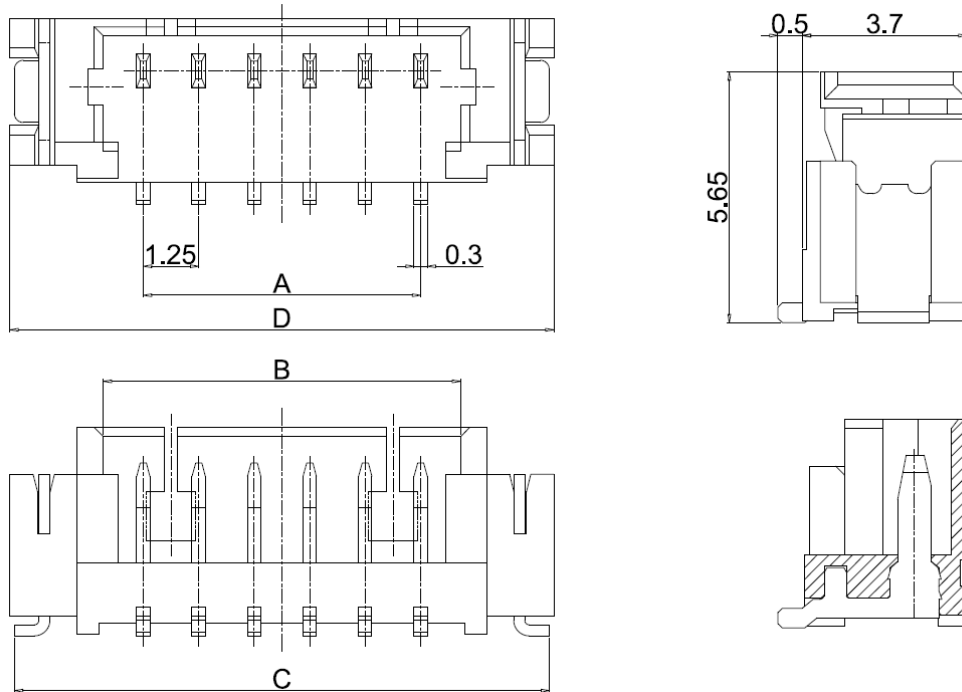
□ Packing Dimension/ 12505WR-NN



Pin	A	B	C	D
2	12	16	4.3	Φ380
4	12	24	4.3	Φ380
5	12	24	4.3	Φ380
6	12	24	4.3	Φ380
8	12	24	4.3	Φ380
10	12	32	4.3	Φ380
12	12	32	4.3	Φ380
14	12	44	4.3	Φ380
16	12	44	4.3	Φ380

※ Contact Yeonho Sales representative if considering use of non-specified circuits

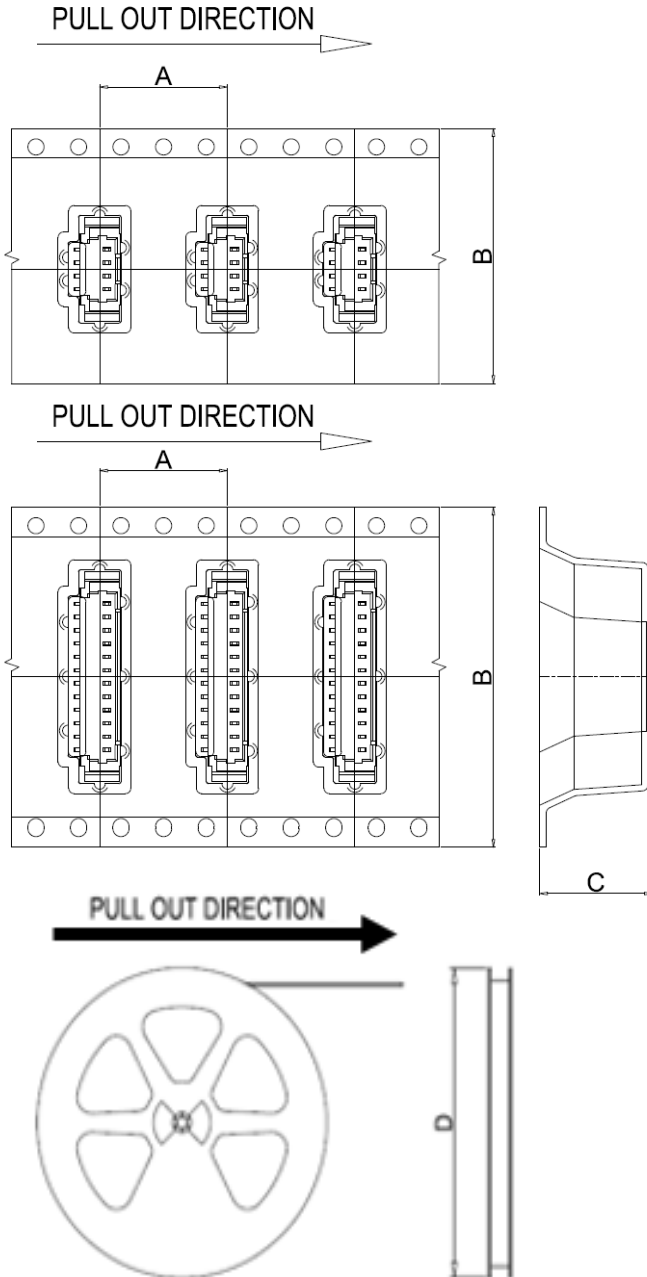
□ Connector Dimension/ 12505WS-NN



Part No.	Pin	A	B	C	D
12505WS-02	2	1.25	3.05	7.05	7.25
12505WS-04	4	3.75	5.55	9.55	9.75
12505WS-05	5	5.00	6.80	10.8	11.00
12505WS-06	6	6.25	8.05	12.05	12.25
12505WS-08	8	8.75	10.55	14.55	14.75
12505WS-10	10	11.25	13.05	17.05	17.25
12505WS-12	12	13.75	15.55	19.55	19.75
12505WS-14	14	16.25	18.05	22.05	22.25
12505WS-16	16	18.75	20.55	24.55	24.75

※ Contact Yeonho Sales representative if considering use of non-specified circuits

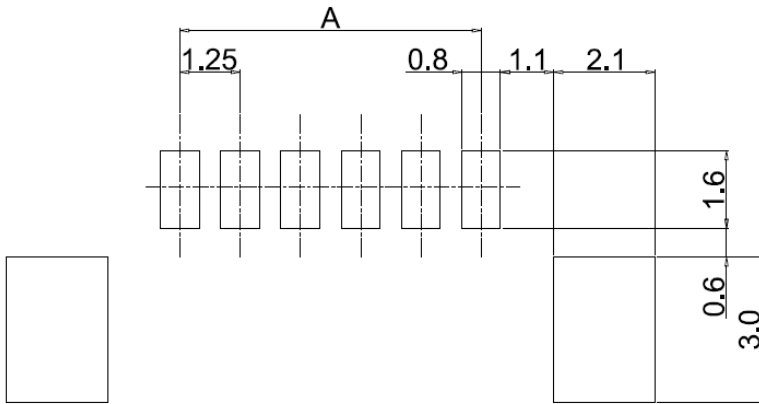
□ Packing Dimension/ 12505WS-NN



Pin	A	B	C	D
2	12	16	5.4	Φ380
4	12	24	5.4	Φ380
5	12	24	5.4	Φ380
6	12	24	5.4	Φ380
8	12	24	5.4	Φ380
10	12	32	5.4	Φ380
12	12	32	5.4	Φ380
14	12	44	5.4	Φ380
16	12	44	5.4	Φ380

※ Contact Yeonho Sales representative if considering use of non-specified circuits

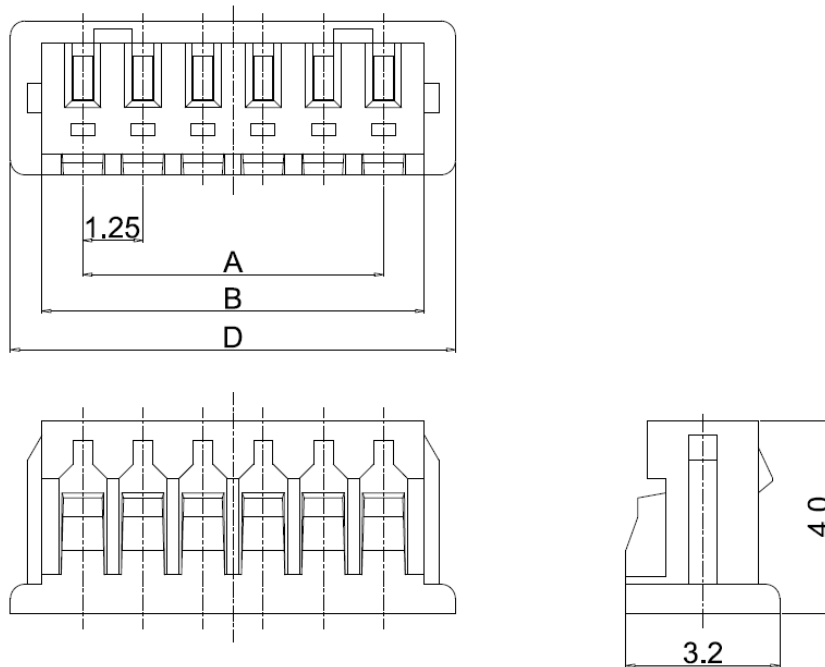
□ PCB Pattern Dimension / 12505WR-NN , 12505WS-NN



Pin	A
2	1.25
4	3.75
5	5.00
6	6.25
8	8.75
10	11.25
12	13.75
14	16.25
16	18.75

※ Contact Yeonho Sales representative if considering use of non-specified circuits

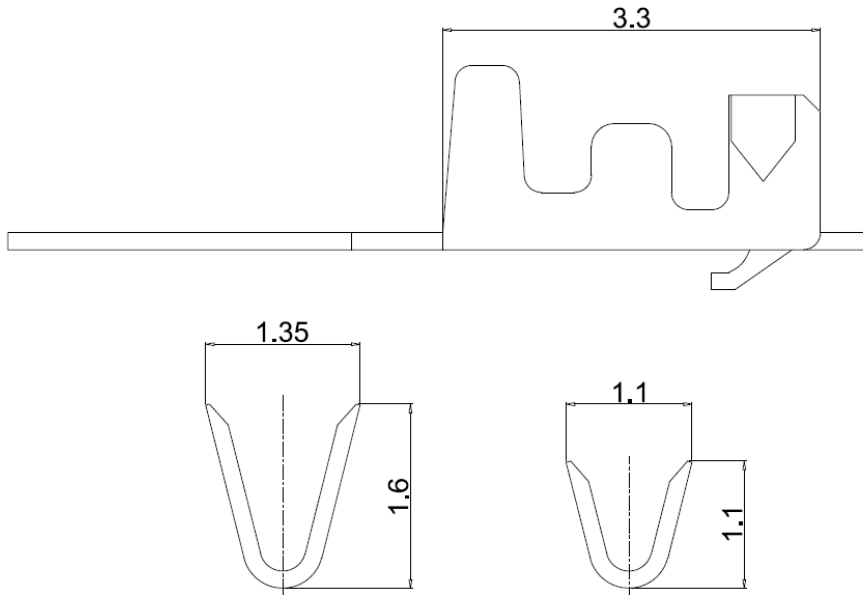
□ Connector Dimension/ 12505HS-NN



Part No.	Pin	A	B	D
12505HS-02	2	1.25	2.95	4.25
12505HS-04	4	3.75	5.45	6.75
12505HS-05	5	5.00	6.70	8.00
12505HS-06	6	6.25	7.95	9.25
12505HS-08	8	8.75	10.45	11.75
12505HS-10	10	11.25	12.95	14.25
12505HS-12	12	13.75	15.45	16.75
12505HS-14	14	16.25	17.95	19.25
12505HS-16	16	18.75	20.45	21.75

※ Contact Yeonho Sales representative if considering use of non-specified circuits

□ Connector Dimension/ 12505TS-1



Part Name	Housing Name	Plating	Wire Size
12505TS-1	12505HS-NN	Sn Plating	AWG #28 ~ #30

※ Contact Yeonho Sales representative if considering use of non-specified circuits