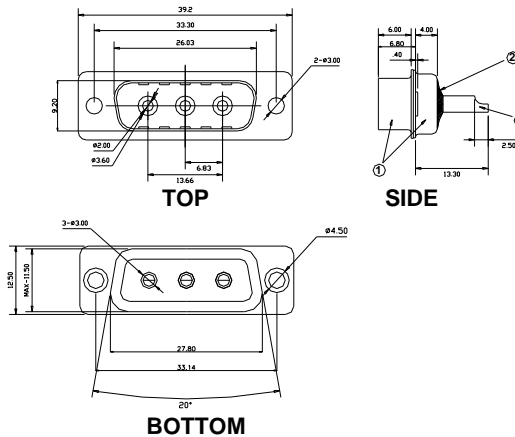


❖ SPECIFICATION

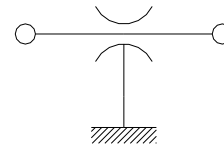
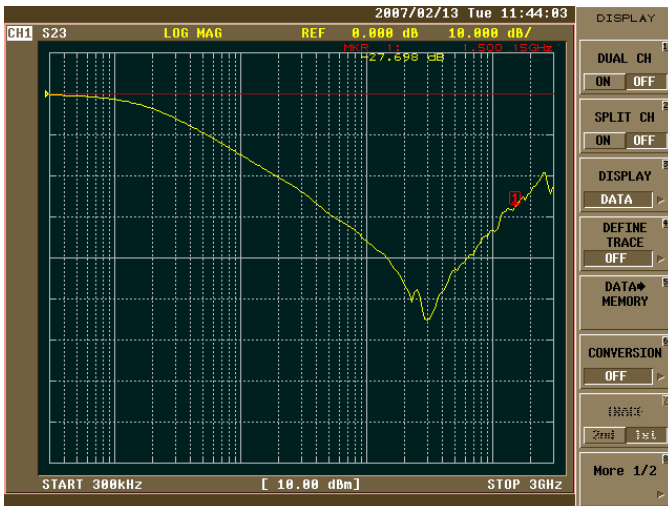
3W3P_101F302

1. Dimension & Characteristics



Part No.	Capacitance (pF)	Capacitance Tolerance	Rated Voltage (VDC)	Withstanding Voltage(VDC) min	Tanδ max	Rated Current (A) max	Temp. Range (°C)	Insulation resistance (MΩ) min
3W3P101F302	3,000	-50%~+80%	100	300	0.05	10	-25°C ~ +85°C	1,000

2. Frequency Data & Circuit



3. Application

- **Microwave transmission**
- **Measuring and telecommunication**
- **Satellite converter**
- **Medical equipments**



EXPANTECH Co.,Ltd
<http://www.expantech.com>
 E-mail : expantech@expantech.co.kr
 Tel 82-31-297-3537 Fax 82-31-297-3539