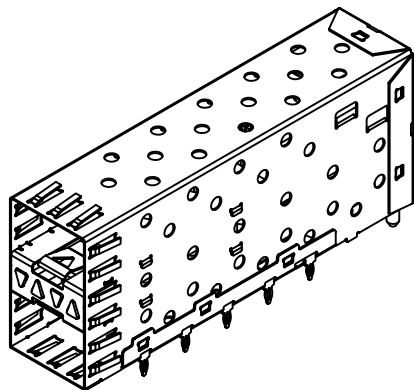
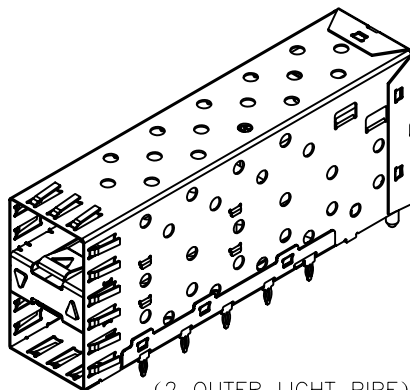


1

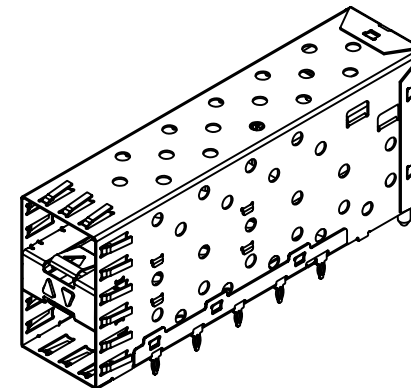
2



(4 LIGHT PIPE)



(2 OUTER LIGHT PIPE)



(2 INNER LIGHT PIPE)

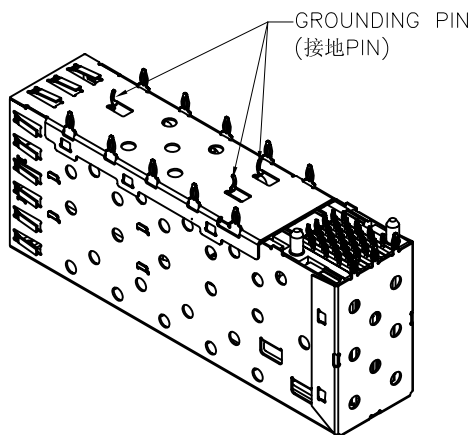
NOTES:

MATERIAL:

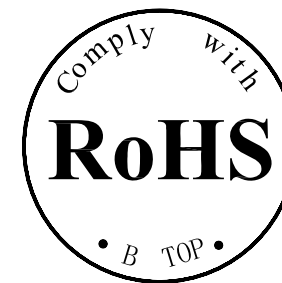
CAGE: NICKEL SILVER, THICKNESS 0.25mm  
 LIGHT PIPE: POLYCARBONATE, COLOR: CLEAR.  
 CONNECTOR:  
 PLASTIC HOUSING: HIGH TEMPERATURE LCP, UL94 V-0.  
 SPRING: STAINLESS STEEL, THICKNESS 0.20mm  
 CONTACTS: PHOSPHOR BRONZE, THICKNESS 0.20mm  
 PLATING: 15?" MIN. GOLD ON MATING AREA,  
 150?" MIN. MATE TIN ON SOLDER TAILS.

PACKAGING: TRAY PACKAGING.

TEMPERATURE RANGE: -40°C TO +85°C



GROUNDING PIN  
(接地PIN)



**B N (Z) G X - M - A B C D - E H I**

"B" with the company code

Series of products: 80-Double deck RJ45 connector + transformer series(In side/long footprint); 89-Double deck RJ45 connector + transformer series(In vertical footprint); 50-Single RJ45 + transformer series; 52/53/55/56/57/58- Ordinary RJ45 series; 80- dual strip line series; 80- Conversion said

Connectivity 80- Series that UK; 91- Automotive connector public Block; 92- Automotive connector rubber Block; 93- IBM/ the head; 94- IBM/ mother Block; 95- SMT series; 96- BHS for switches

Family code (sequence Id): 1-99

Type of product: code: G- Gigabit RJ45 transformer; F- 100Base RJ45 transformer; R- For an transformer RJ45 products; B- Series for board-mounted code

Number of magnetic ring

The No. of circuit

Product definition LOGO: 1- Press "B-TOP"; 2- No "B-TOP"; 3- Other companies LOGO

Product definition plastic materials: 1-PA66, 2-PA46, 3-PA, 4-PA6, 5-PBT, 6-ABS, 7-PA9T, 8-PC, 9-LCP

Pin definition of the product: F-Pin after; B-Pin back; C- No definition of the product

Electroplating product definition: gold-plated terminals (degrees after nickel plated) 1-F μm; 2-3 μm; 3-6 μm; 4-15 μm; 5-30 μm; 6-50 μm; 7-4N-60 μm; 8-60-120 μm

Product shielding definition: 0- no shielding shell; 1- without shielding shell strapnet; 2- shielding a shell strapnet; 3- a half-shield shell

Products luminous definition: 0- No LED; 1- Left Yellow Right Green; 2- Left Green Right Yellow; 3- Double Green; 4- Double Yellow; 5- LED strapnet for the pin; 6- A special definition; 7- Single Linear LEDs

Products out part: 1-201 2-202 3-204 4-205 5-206 6-208 7-209 8-102 9-104 10-115  
 \* E=18 \* F=18 \* G=18B-RJ45 \* H=18B-UP101 \* I=18B-UP102 \* J=18B-UP104

**B-TOP®** 东莞市博腾电子科技有限公司  
 Dongguan BroadTop Electronic Technology Co., Ltd.

Designed

MATERIAL

DESCRIPTION

BSFP(11-02)S-1024-C92(SFP 2X1 EMI)

Checked

SCALE

1:1

UNIT

mm

MODEL NO.

4-1

REV.

1.1

FIRST ANGLE PROJECTION



TEL: 0769-38926198  
 FAX: 0769-38926199

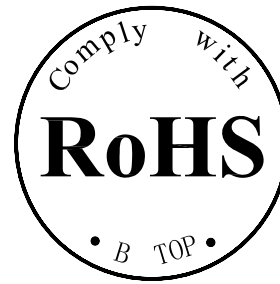
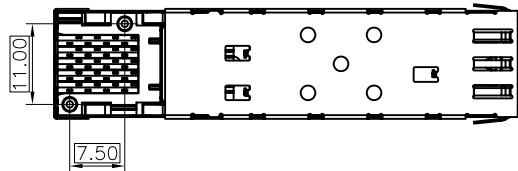
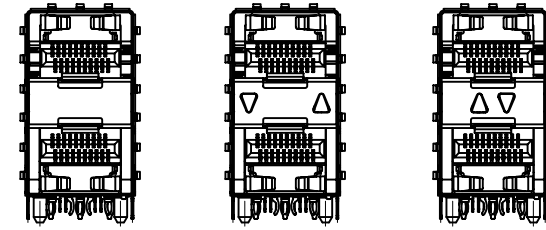
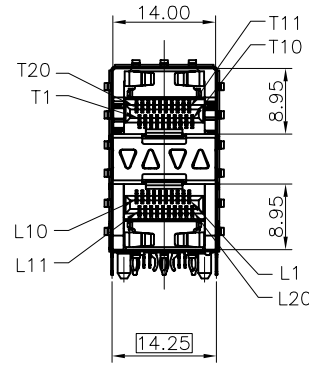
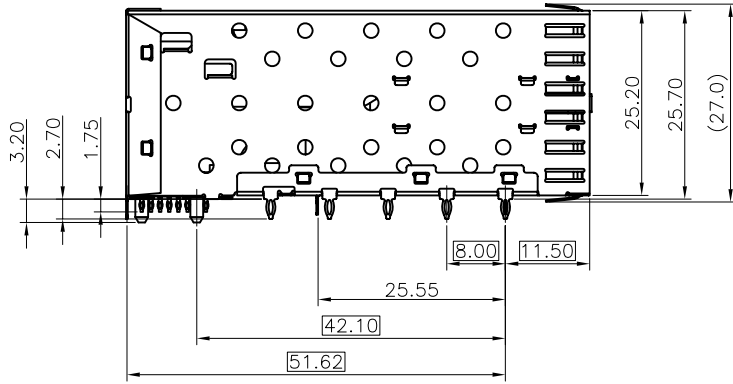
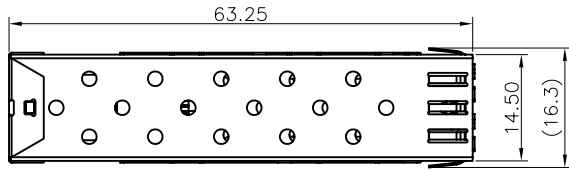
Website: www.BtopTech.cn  
 www.BtopTech.com

Approved

20170818

1

2



**B-TOP®** 东莞市博腾电子科技有限公司  
Dongguan BroadTop Electronic Technology Co., Ltd.

Designed

MATERIAL

DESCRIPTION

BSFP(11-02)S-1024-C92(SFP 2X1 EMI)

Checked

SCALE

1:1

UNIT

mm

MODEL NO.

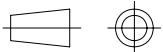
4-2

REV.

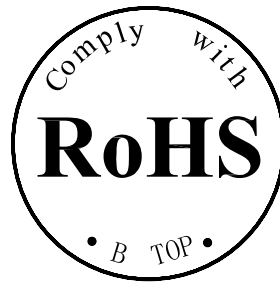
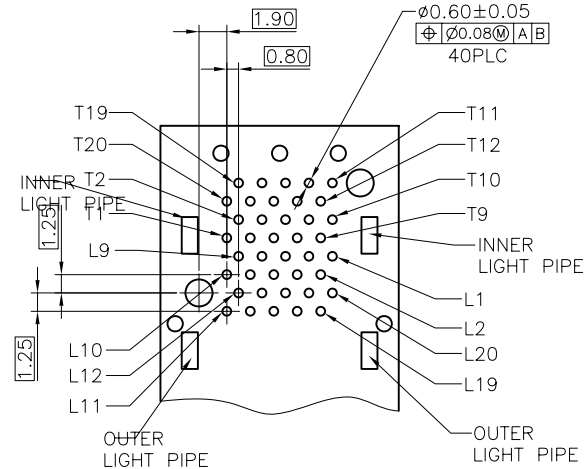
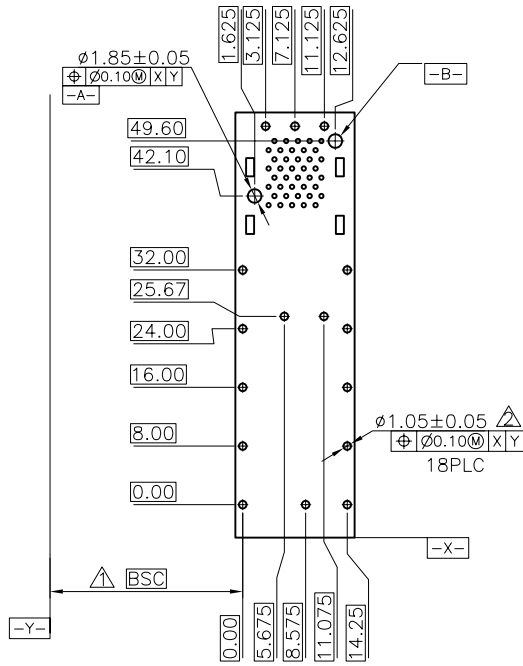
1.1

Approved

FIRST ANGLE  
PROJECTION



TEL: 0769-38926198  
FAX: 0769-38926199  
Website: www.BtopTech.cn  
www.BtopTech.com



ECOMMENDED PCB CONFIGURATION

NOTES:

1. DATUM AND BASIC DIMENSIONS ESTABLISHED BY CUSTOMER.
2. 1.05 mm DIAMETER HOLES ARE CHASSIS GROUND (18 HOLES).

**B-TOP®** 东莞市博腾电子科技有限公司  
Dongguan BroadTop Electronic Technology Co., Ltd.

Designed

MATERIAL

DESCRIPTION

BSFP(11-02)S-1024-C92(SFP 2X1 EMI)

Checked

SCALE

1:1

UNIT

mm

MODEL NO.

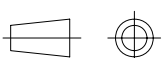
4-3

REV.

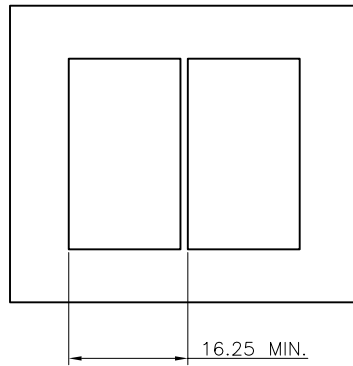
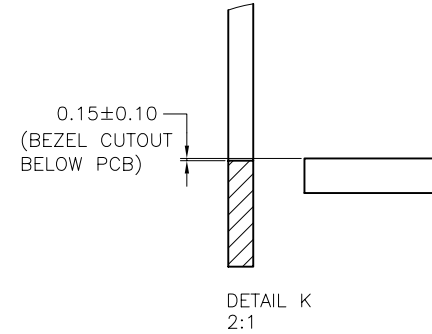
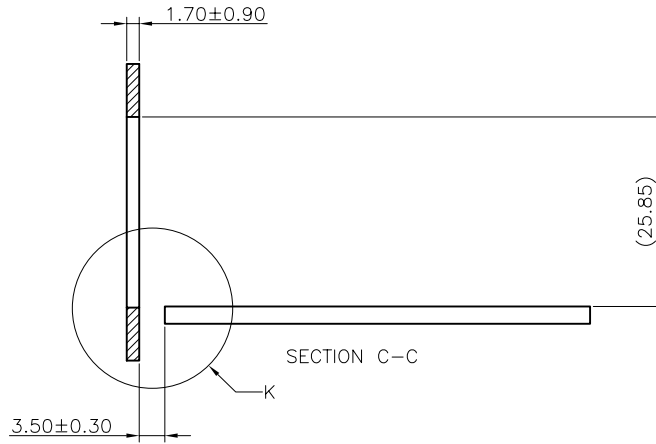
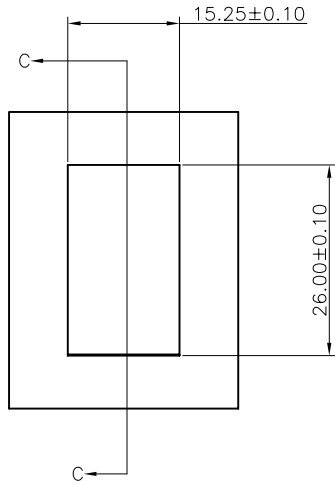
1.1

Approved

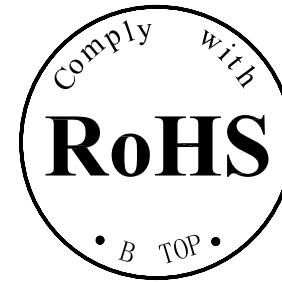
FIRST ANGLE PROJECTION



TEL: 0769-38926198  
FAX: 0769-38926199  
Website: www.BtopTech.cn  
www.BtopTech.com



RECOMMENDED BEZEL DESIGN



**B-TOP®** 东莞市博腾电子科技有限公司  
Dongguan BroadTop Electronic Technology Co., Ltd.

Designed

MATERIAL

DESCRIPTION

BSFP(11-02)S-1024-C92(SFP 2X1 EMI)

Checked

SCALE

1:1

UNIT

mm

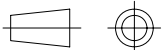
MODEL NO.

4-4

REV.

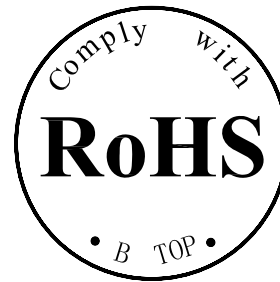
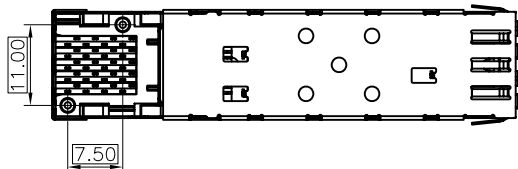
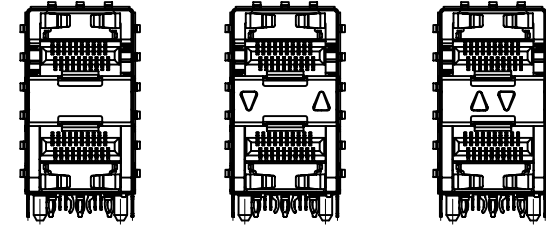
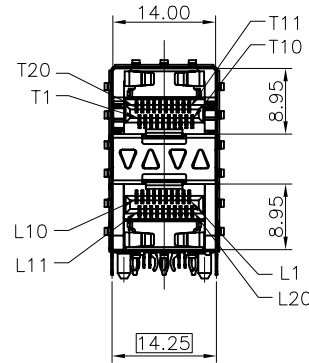
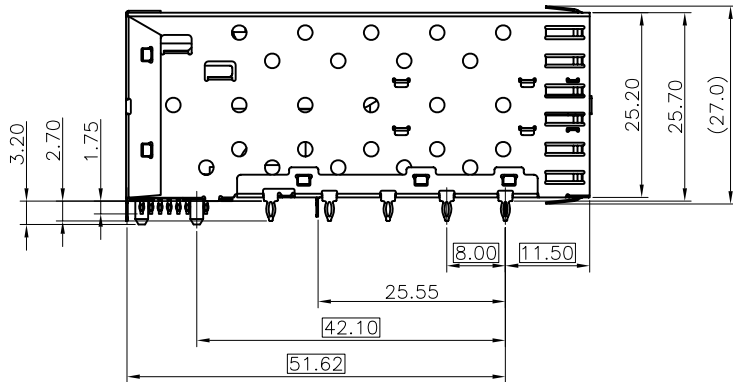
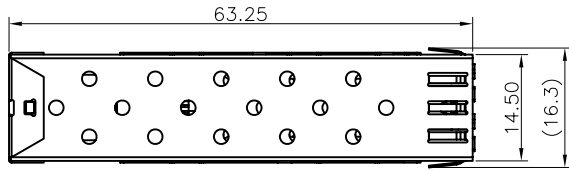
1.1

FIRST ANGLE PROJECTION



TEL: 0769-38926198  
FAX: 0769-38926199  
Website: www.BtopTech.cn  
www.BtopTech.com

Approved



**B-TOP®** 东莞市博腾电子科技有限公司  
Dongguan BroadTop Electronic Technology Co., Ltd.

Designed

MATERIAL

DESCRIPTION

BSFP(11-02)S-1024-C92(SFP 2X1 EMI)

Checked

SCALE

1:1

UNIT

mm

MODEL NO.

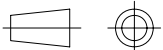
4-2

REV.

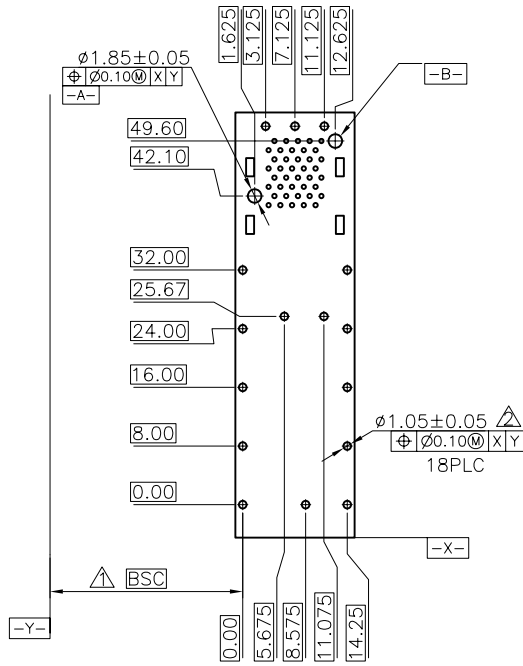
1.1

Approved

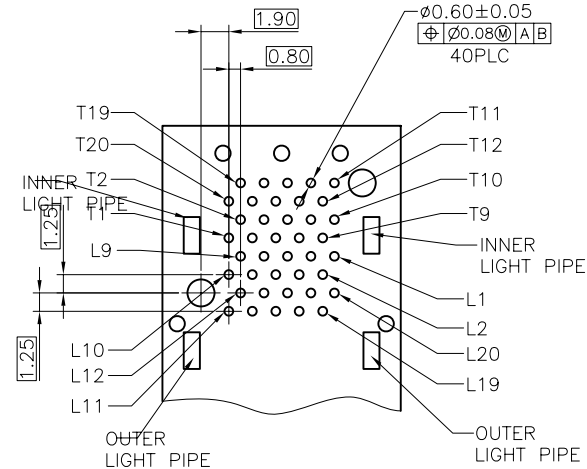
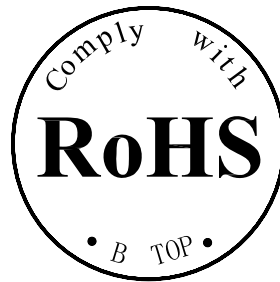
FIRST ANGLE  
PROJECTION



TEL: 0769-38926198  
FAX: 0769-38926199  
Website: www.BtopTech.cn  
www.BtopTech.com



ECOMMENDED PCB CONFIGURATION



NOTES:

1. DATUM AND BASIC DIMENSIONS ESTABLISHED BY CUSTOMER.
2. 1.05 mm DIAMETER HOLES ARE CHASSIS GROUND (18 HOLES).

**B-TOP®** 东莞市博腾电子科技有限公司  
Dongguan BroadTop Electronic Technology Co., Ltd.

Designed

MATERIAL

DESCRIPTION

BSFP(11-02)S-1024-C92(SFP 2X1 EMI)

Checked

SCALE

1:1

UNIT

mm

MODEL NO.

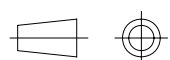
4-3

REV.

1.1

Approved

FIRST ANGLE PROJECTION



TEL: 0769-38926198  
FAX: 0769-38926199  
Website: www.BtopTech.cn  
www.BtopTech.com