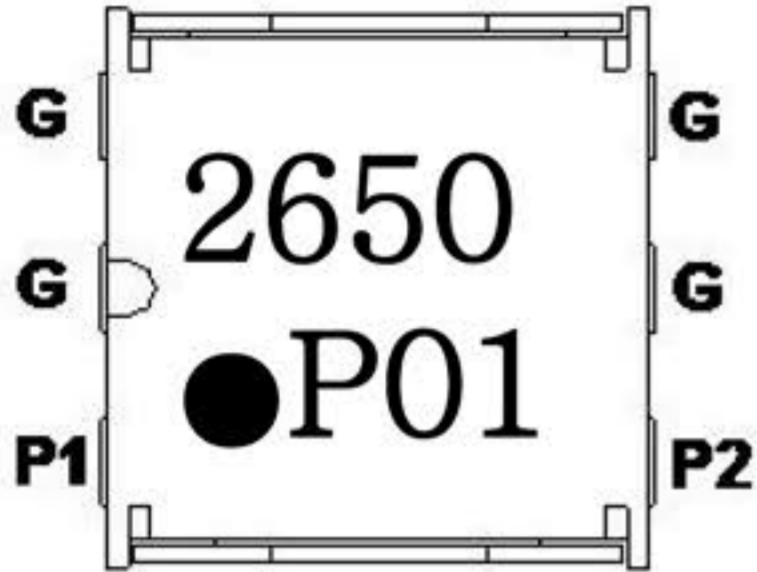
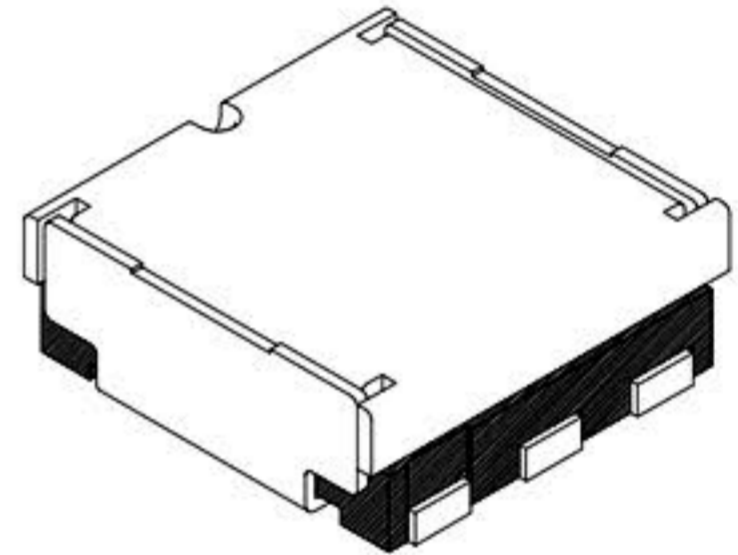
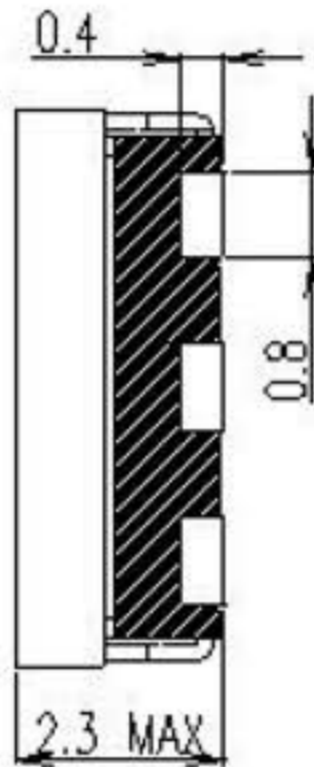
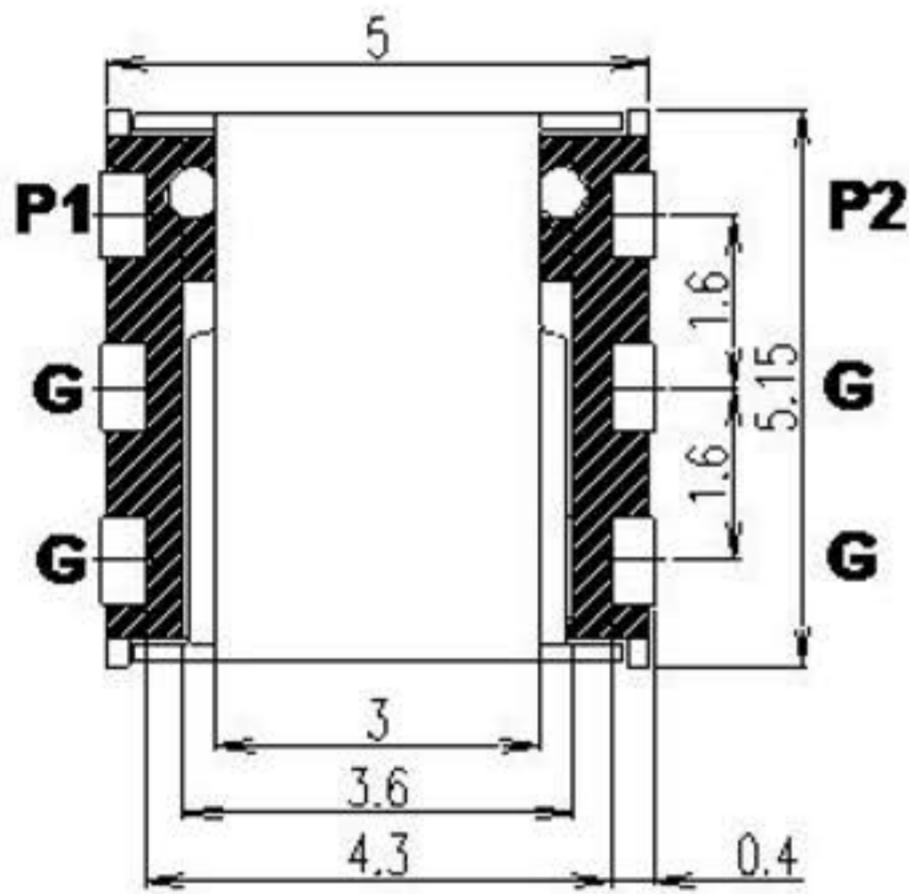


SMD ISOLATOR

[ P/N : IL05AL(R)2650AAE ]



**P1,P2** : IN/OUT Port  
**G** : Ground  
**2650** : 2650MHz[fc]  
**●P01** :  
**●P01** L type [signal flow direction P1 → P2]  
**P01●** R type [signal flow direction P2 → P1]  
 [or left side dot is L type,  
 right side dot is R type]  
  
**0** Year [2010]  
**1** Month [January]  
 (Oct,Nov,Dec denoted as **O,N,D** )



Scale : N/S  
 Unit : mm  
 Tolerance : ±0.2

| ELECTRICAL SPECIFICATION |                 |
|--------------------------|-----------------|
| Frequency Range          | 2600 ~ 2700 MHz |
| Operating Temp.          | -35 ~ +85 °C    |
| Insertion Loss           | 0.7 dB max.     |
| Isolation                | 13 dB min.      |
| VSWR                     | 1.5 max.        |
| Forward Power            | 10 W max.       |
| Reverse Power            | 2 W max.        |

| PART NUMBERING                |                              |
|-------------------------------|------------------------------|
| <b>IL 05 A L(R) 2650 AA E</b> |                              |
| IL                            | : Isolator Group             |
| 05                            | : Size [5*5*2.3t]            |
| A                             | : Fabrication condition      |
| L(R)                          | : Signal direction           |
| 2650                          | : Center frequency [2650MHz] |
| AA                            | : Fabrication condition      |
| E                             | : Embossed plastic reel      |
| * RoHS Compliant(Lead Free)   |                              |
| - Ver 2.0 (2012.01.02.)       |                              |