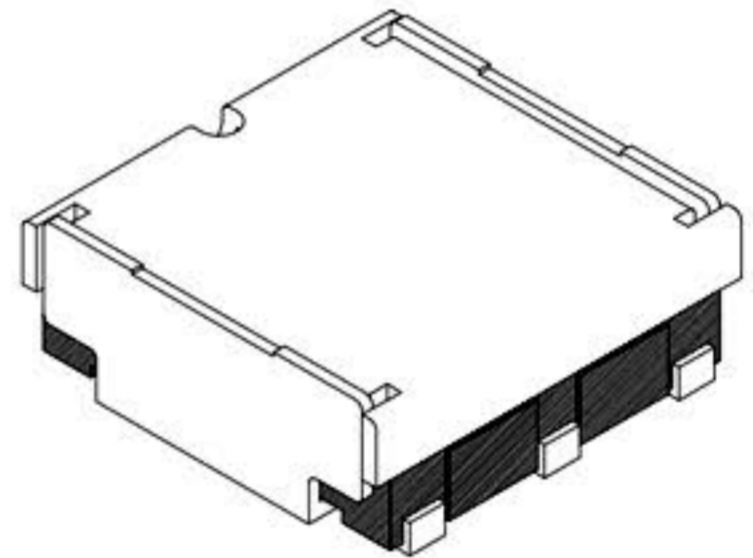
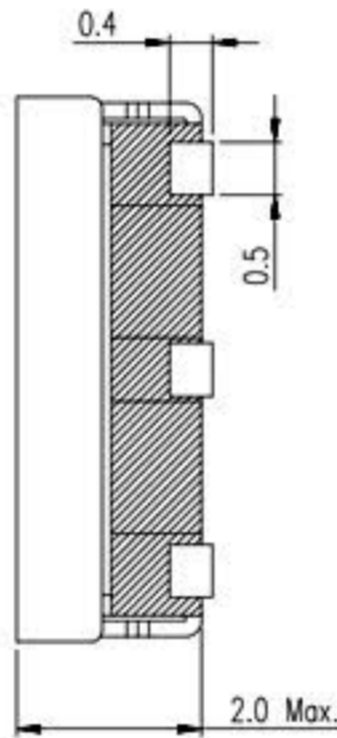
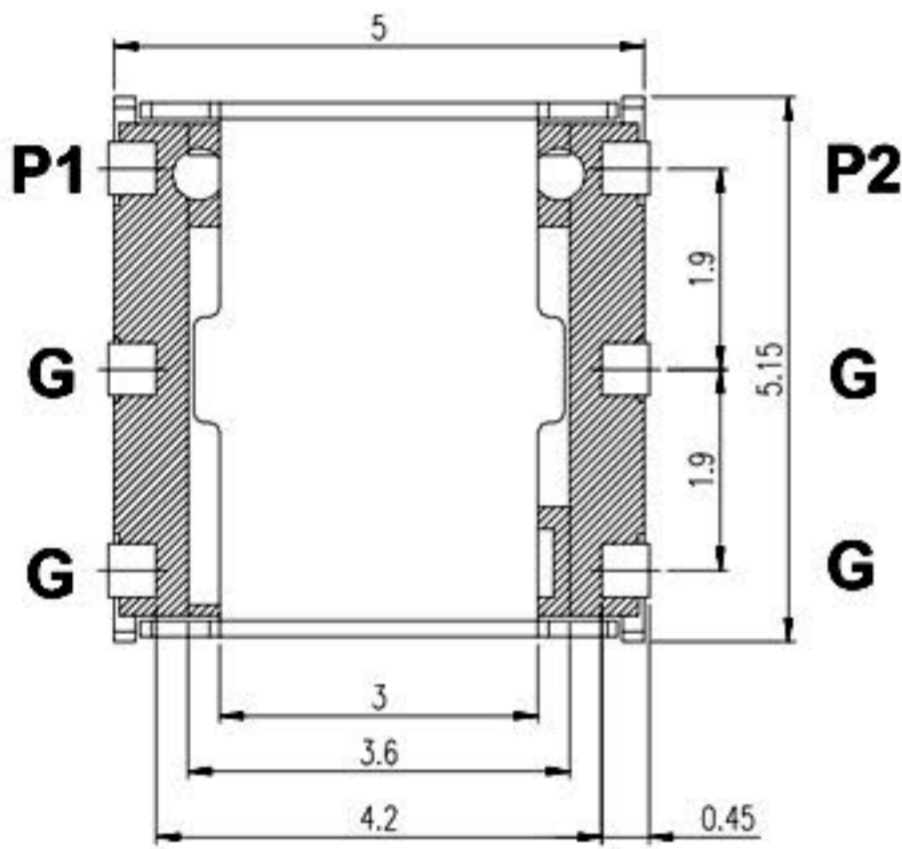


SMD ISOLATOR  
 [ P/N : IL05BL(R)A836AAE ]



**P1,P2** : IN/OUT Port  
**G** : Ground  
**A836** : Version A 836.5MHz[fc]  
**●P01** :  
**●P01** L type [signal flow direction P1 → P2]  
**P01●** R type [signal flow direction P2 → P1]  
 [or left side dot is L type,  
 right side dot is R type]  
**0** Year [2010]  
**1** Month [January]  
 (Oct,Nov,Dec denoted as **O,N,D** )



Scale : N/S  
 Unit : mm  
 Tolerance : ±0.2

ELECTRICAL SPECIFICATION	
Frequency Range	824 ~ 849 MHz
Operating Temp.	-35 ~ +85 °C
Insertion Loss	0.75 dB max. (At room temp.)
	0.80 dB max. (-35 ~ +85 °C)
Isolation	13 dB min.
VSWR	1.5 max.
Forward Power	5 W max.
Reverse Power	1 W max.

PART NUMBERING	
<b>IL 05 B L(R) A 836 AA E</b>	
IL	: Isolator Group
05	: Size [5*5*2.0t]
B	: Fabrication condition
L(R)	: Signal direction
A	: Version A
836	: Center frequency [836.5MHz]
AA	: Fabrication condition
E	: Embossed plastic reel
* RoHS Compliant(Lead Free)	
-. Ver 1.2 (2011.03.02.)	